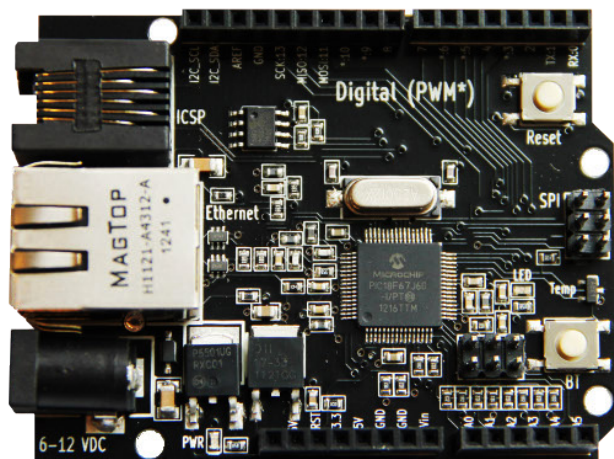


nabduino[®]

OPEN SOURCE PEER-TO-PEER BOARD WITH WEBSERVER DEVELOPED BY NABTO

FEATURES



- Preprogrammed with Nabto's Nabduino application
- Preprogrammed device id and encryption key
- Preprogrammed with Nabto's bootloader
- Based on Microchip's PIC18F67J60
- Control via browser, smartphone or tablet
- No firewall hassle
- Open source code
- Arduino form-factor (uses Arduino shields)
- Onboard temperature sensor and EEPROM
- Ethernet port (DHCP assigned IP address)

INTRODUCTION

The Nabduino is Nabto's prototyping board. The board enables you to quickly test drive the uNabto framework on a compact and low cost microcontroller namely the PIC18F67J60 from Microchip's PIC18F97J60 series of Ethernet enabled microcontrollers.

The default Nabduino application demonstrates the uNabto framework by exposing the onboard temperature sensor, LED, button and digital and analog IOs to Nabto enabled clients on both the local network and on the internet.

The full source code for the Nabduino application including the uNabto framework is available for download on the Nabduino website allowing for customizations or completely new applications to be made.

All software needed to develop applications for the Nabduino can be found via the website and are all free of charge.

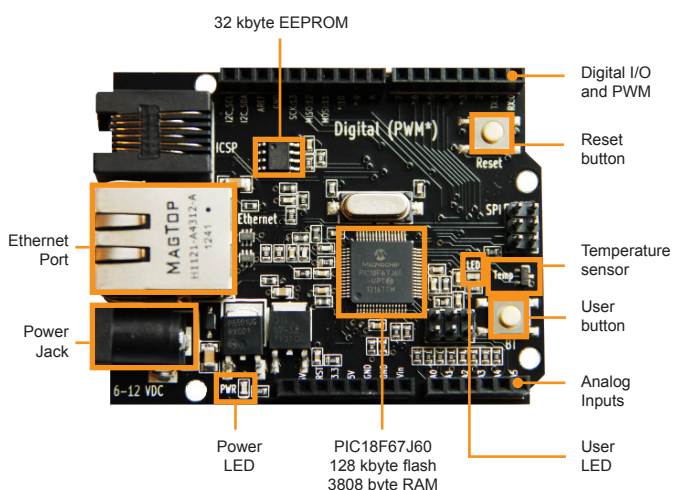
For customers wanting to move from prototyping to integration please refer to Nabto's uServer which is also based on the PIC18F67J60 but which has a much

more compact form factor.

Nabto's patented technology automatically creates a direct encrypted connection to a device behind a firewall without configuring the firewall. The connection is established via your standard browser/smartphone and you can use it to control a device or retrieve data in a web-interface without firewall hassle.

For more information and downloads please visit nabduino.com and nabto.com.

SPECIFICATIONS



• Supply voltage: 6 - 12 V DC

• Supply current: 190 mA

• **PIC18F67J60**
- 128 kB flash
- 3808 B RAM
- Up to 10 MIPS

• 10 Mbit Ethernet port

• Onboard 32 kB EEPROM (using I2C)

• Onboard temperature sensor (using ADC)

• Application controlled LED and button

• 16 digital IO (incl. 5 PWM) and 6 analog inputs

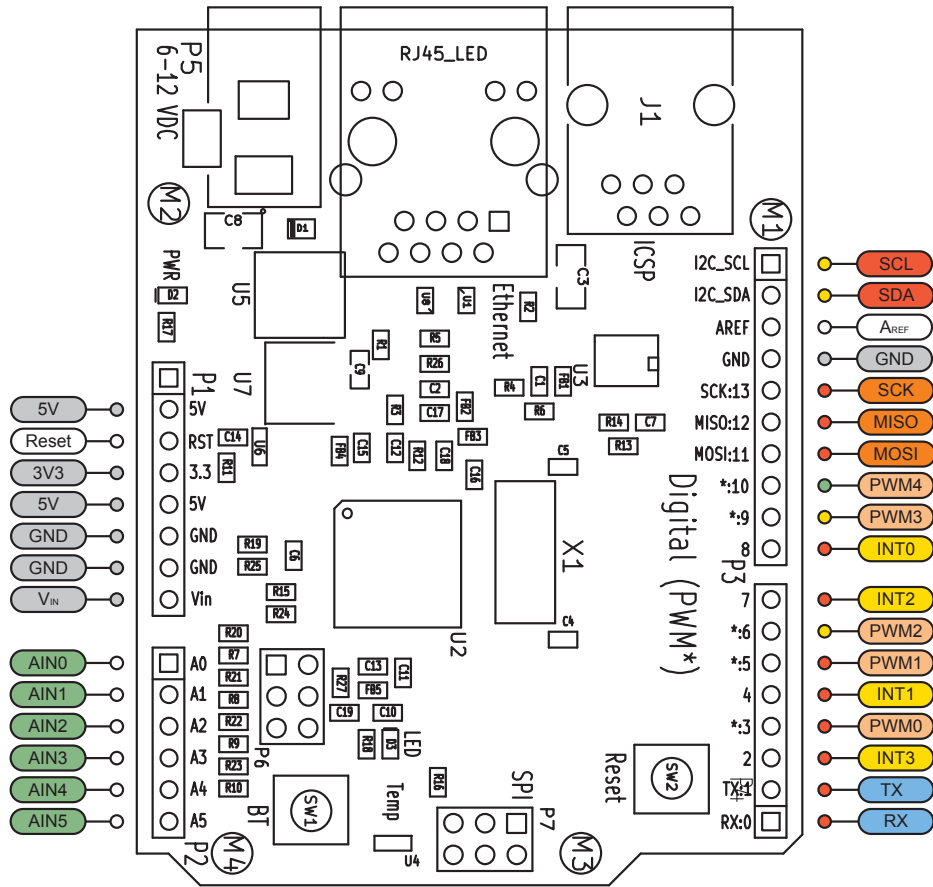
• Operating temperature: 0 to 70 °C (32 to 158 °F)

• Dimensions: 70 x 53 x 15 mm (2.76 x 2.09 x 0.59 in)

PIN ASSIGNMENT

LEGEND

- Power
- In
- In/Out (2 mA)
- In/Out (8 mA)
- In/Out (25 mA)



THE BOX



WHEN YOU BUY A NABDUINO YOU WILL RECEIVE THE FOLLOWING:

- A Nabduino board
- A power supply
- A unique device id

CONTACT

ADDRESS:
 Nabto ApS
 Aabogade 15
 DK-8200 Aarhus N
 Denmark

WEB:
nabduino.com
nabduino.com/forum

SUPPORT:
user-support@nabduino.com

PHONE:
 EU: (+45) 8734 5513

SALES:
sales@nabduino.com
reseller-support@nabduino.com